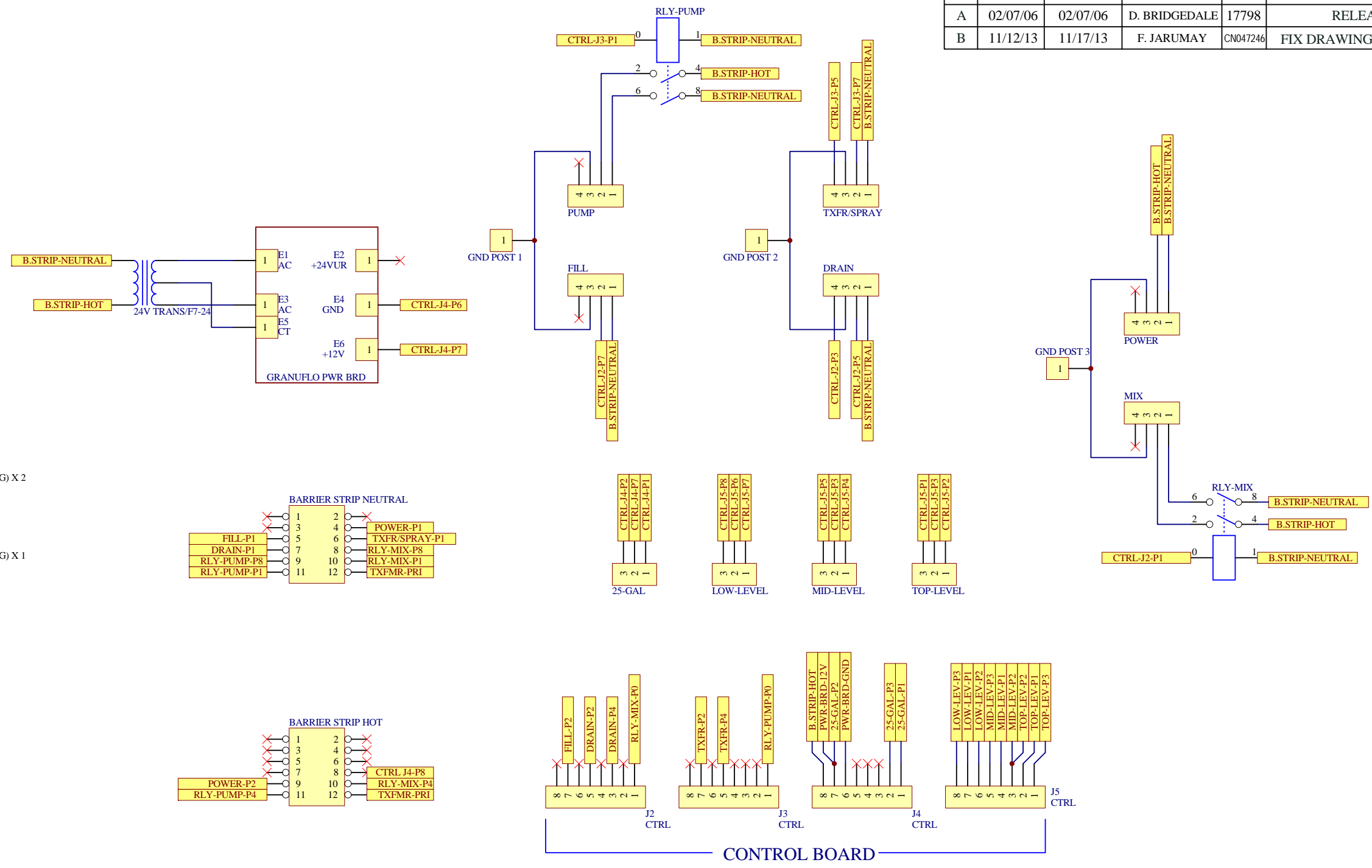


REV.	RELEASE DATE	EFFECTIVE DATE	ORIGINATOR	CN#	DESCRIPTION OF CHANGE	APPROVAL
A	02/07/06	02/07/06	D. BRIDGEDALE	17798	RELEASE	D. BRIDGEDALE
B	11/12/13	11/17/13	F. JARUMAY	CN047246	FIX DRAWING ERRORS	L. PANTOJA



WIRE ASSEMBLIES

160080
CONNECTOR CONTROL BOARD J2
RELAY COIL MIX (BLACK/16AWG) X 1
TERMINAL BLOCK NEUTRAL (WHITE/16AWG) X 2
GROUND POST #1 (GREEN/16AWG) X 2
CONNECTOR FILL
CONNECTOR DRAIN

160076
CONNECTOR CONTROL BOARD J3
TERMINAL BLOCK NEUTRAL (WHITE/16AWG) X 1
RELAY COIL PUMP (BLACK/16AWG) X 1
GROUND POST #2 (GREEN/16AWG) X 1
CONNECTOR TRANSFER/SPRAY

160082
CONNECTOR CONTROL BOARD J4
CONNECTOR 25-GAL
POWER BOARD +12V (RED/18AWG)
POWER BOARD GND (BLACK/18AWG)
TERMINAL BLOCK HOT (BLACK/16AWG)

160081
CONNECTOR CONTROL BOARD J5
CONNECTOR LOW-LEVEL
CONNECTOR MID-LEVEL
CONNECTOR TOP-LEVEL

160078
CONNECTOR PUMP
RELAY PUMP HOT (BLACK/16AWG)
RELAY PUMP NEUTRAL (WHITE/16AWG)
GROUND POST #1 (GREEN/16AWG)

160077
CONNECTOR MIX
RELAY MIX HOT (BLACK/16AWG)
RELAY MIX NEUTRAL (WHITE/16AWG)
GROUND POST #3 (GREEN/16AWG)

160079
CONNECTOR POWER
TERMINAL BLOCK HOT (BLACK/16AWG)
TERMINAL BLOCK NEUTRAL (WHITE/16AWG)
GROUND POST #3 (GREEN/16AWG)

This document is the property of Fresenius USA, Inc. d/b/a Fresenius Medical Care North America and may contain confidential and trade secret information. This document may only be transferred as authorized by Fresenius Medical Care North America and then only by the way of loan for limited purposes. It may not be reproduced in whole or part and must be returned or destroyed upon request or upon completion of the purpose of the loan.

© Fresenius Medical Care North America 2006, 2013

UNLESS OTHERWISE SPECIFIED		NAME	DATE
DIM ARE IN INCHES TOL ON ANGLES ±0.5 2 PL 0.01, 3 PL 0.005 INTERPRET DIM AND TOL PER ASME Y14.5-1994		DRAWN B. HOLMQUIST	02/07/06
THIRD ANGLE PROJECTION		APPR.: D. BRIDGEDALE	02/15/06
MATERIAL N/A		COMMENTS:	
FINISH N/A		N/A	
DO NOT SCALE DRAWING			

Fresenius Medical Care

TITLE:
SCHE, GRANUFLO I CONTROL CONSOLE

SIZE B	DWG. NO. 290296	REV. B
SCALE: 1:1	CAD: PROTEL	SHEET 1 OF 1