



Fresenius Medical Care

Fresenius Medical Care North America Service Bulletin

Equipment: All Hemodialysis Machines
Bulletin: 11-FRS-004 Rev A
Subject: External Heat Exchanger Leakage

Originated By (Dept.):	Reviewed By	Approved By	Effective Date
J. Fox (TSD)	Kenneth Cogswell	CN# 40017WC	6/15/2011

Distribution: Dir TS (B. La Bier), TS Mgr (K. Cogswell), Dir QS (M. Owen), QE (R. Fox), Eng (D. Gavin), QC Mgr (D. McKenzie), Tng (J. Barr), Prod Mgr (R. Few), Corp TS Mgr (C. Woods), Canada (Sean McFaul), Mexico (Jorge Naranjo)

1.0 PURPOSE

To inform all Field Service and Technical Support personnel of potential causes and prevention of premature external leakage of the heat exchanger.

2.0 SCOPE

External leakage of the heat exchanger may be caused by many factors. Before replacing the heat exchanger, perform the following checks:

- Incorrectly calibrated or faulty incoming water pressure regulator could apply excessive pressure to the heat exchanger. Calibrate or replace the incoming pressure regulator.
- Due to fluctuating temperatures in the hydraulic area, the heat exchanger screws may loosen. Tighten them by initially starting with the center two screws and then by tightening the surrounding screws in a crisscross fashion to avoid an improper seal (see Figure 1 on page 2). Tighten the screws enough to ensure proper sealing; approximately a torque of 2.5 N-m (22 in-lbs).
- If an external leak is present around the center two screws, larger washers can be installed. The larger washer for this application is part number 643124. The larger washer replaces the existing small washer. See the arrows in Figure 2 and Figure 3 on page 2 for proper placement of the larger washers:

If there are any questions regarding this bulletin, contact Fresenius Technical Support at 800-227-2572

© 2011, Fresenius Medical Care North America, All rights reserved.

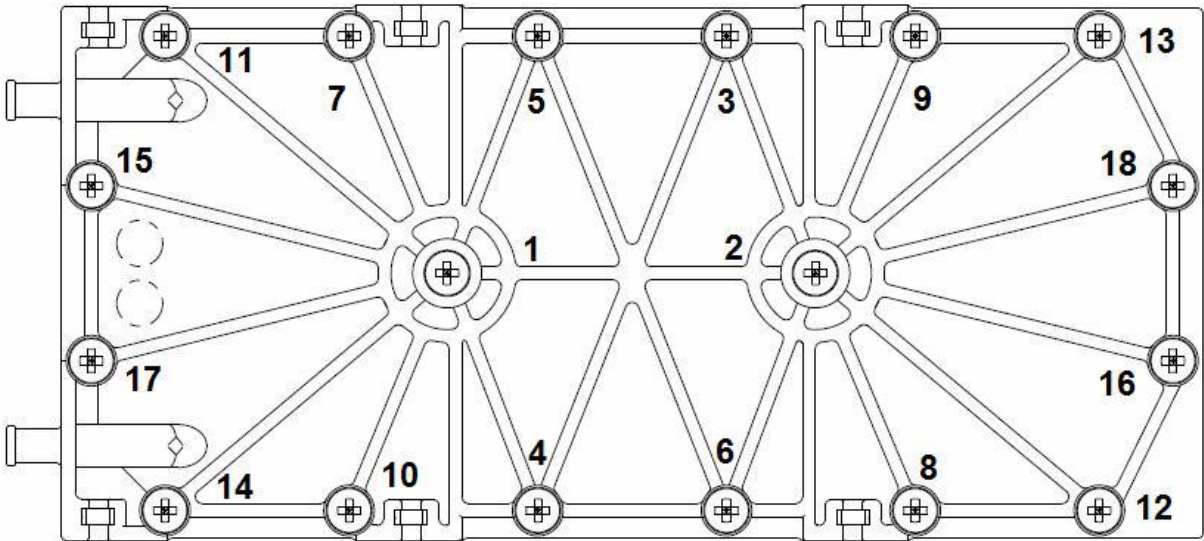
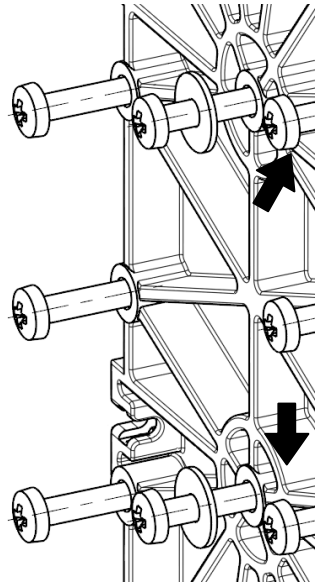
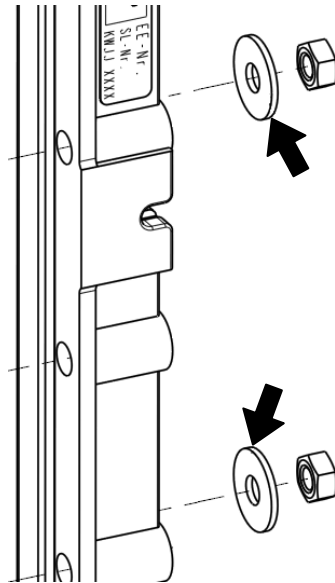


Figure 1 – Screw Tightening Sequence



Heat Exchanger (Left side)

Figure 2



Heat Exchanger (Right side)

Figure 3