

Fresenius Medical Care North America Service Bulletin

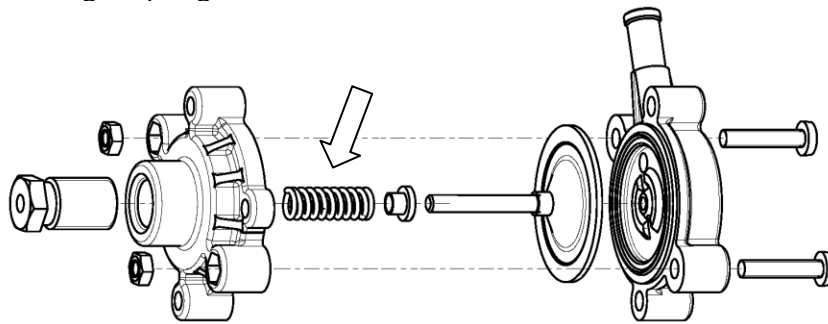
Equipment: All Hemodialysis Machines
Bulletin: 14-FRS-001 Rev A
Subject: New Loading Pressure Regulator

1.0 PURPOSE

To inform all Field Service and Technical Support personnel of a new Loading Pressure Regulator part number for DiaSafe[®] filter system equipped machines and to clarify the differences between regulators used on 2008 Series Hemodialysis machines.

2.0 SCOPE

2008[®] Series Hemodialysis machines equipped with a DiaSafe[®] filter system require a stronger spring in the Loading Pressure Regulator in order to achieve a loading pressure between 23 and 25psi. If the Loading Pressure Regulator was replaced, the only part number that was available was 647610. However, in order for it to achieve the DiaSafe[®] filter loading pressure range, the internal spring (see arrow below) had to be replaced with part number 642585 for the stronger spring.



Part number **M50328** is now available for a complete Loading Pressure Regulator with the stronger spring already installed. This new part eliminates the need to replace the spring.

The Loading Pressure Regulator (part number 647610) with the weaker spring is still available for machines that are not equipped with a DiaSafe[®] filter system.

If there are any questions regarding this bulletin, contact Fresenius Medical Care Technical Support at 800-227-2572

© 2014, Fresenius Medical Care North America, All rights reserved.