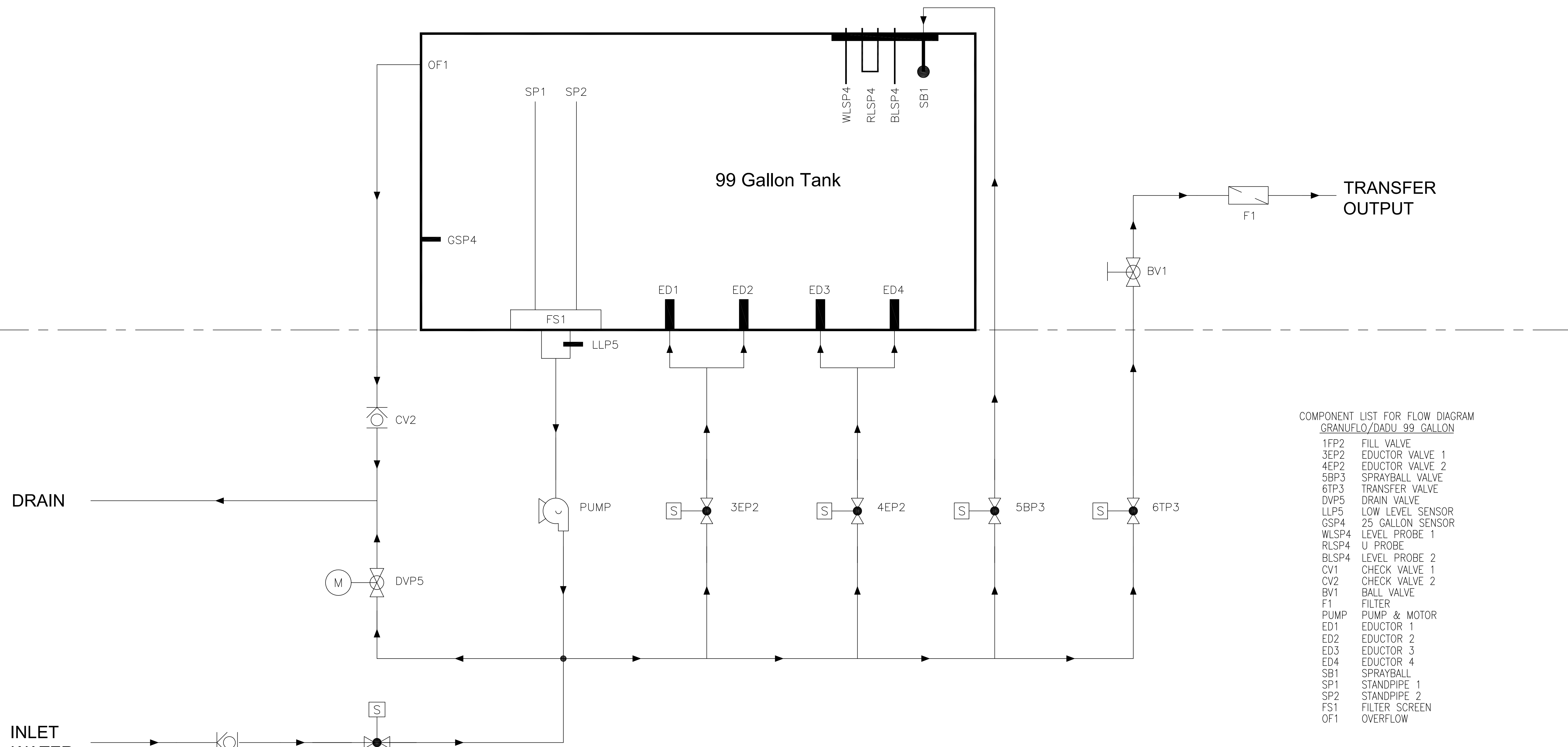


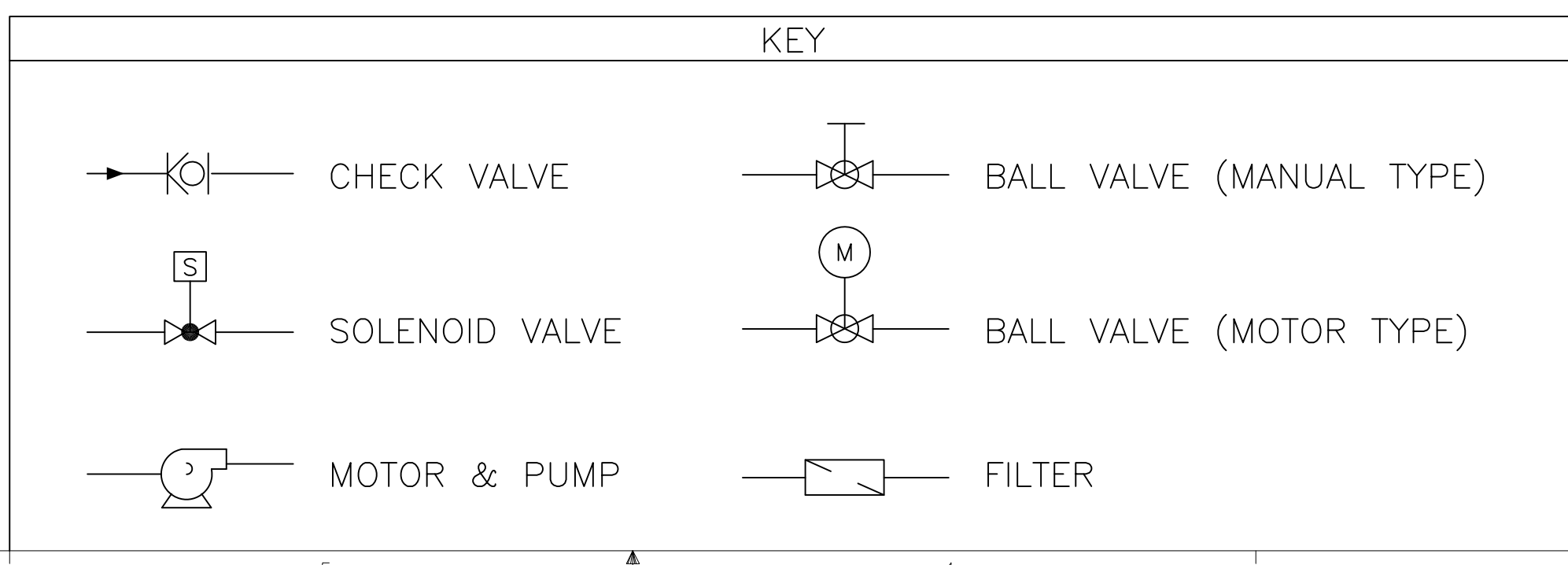
# HYDRAULICS: GRANUFLO/DADU 99 GALLON

REVISION HISTORY			
REV.	ORIGINATOR	CHANGE#	DESCRIPTION OF CHANGES
A	J FOX	15068	RELEASE
B	J FOX	CHANGE#	ADD DADU 99 GALLON



COMPONENT LIST FOR FLOW DIAGRAM  
GRANUFLO/DADU 99 GALLON

1FP2	FILL VALVE
3EP2	EDUCTOR VALVE 1
4EP2	EDUCTOR VALVE 2
5BP3	SPRAYBALL VALVE
6TP3	TRANSFER VALVE
DVP5	DRAIN VALVE
LLP5	LOW LEVEL SENSOR
GSP4	25 GALLON SENSOR
WLSP4	LEVEL PROBE 1
RLSP4	U PROBE
BLSP4	LEVEL PROBE 2
CV1	CHECK VALVE 1
CV2	CHECK VALVE 2
BV1	BALL VALVE
F1	FILTER
PUMP	PUMP & MOTOR
ED1	EDUCTOR 1
ED2	EDUCTOR 2
ED3	EDUCTOR 3
ED4	EDUCTOR 4
SB1	SPRAYBALL
SP1	STANDPIPE 1
SP2	STANDPIPE 2
FS1	FILTER SCREEN
OF1	OVERFLOW



UNLESS OTHERWISE SPECIFIED DIM ARE IN INCHES TOL ON ANGLE ±0.5° 2 PL 30.01-3 PL 30.005 INTERPRET DIM AND TOL PER ASME Y14.5M-1994	N/A	NAME J. FOX	DATE 11/22/04
THIRD ANGLE PROJECTION	DRAWN N/A	REDRAWN N/A	N/A
MATERIAL N/A	COMMENTS: N/A		
FINISH N/A	DO NOT SCALE DRAWING		

**FRESENIUS MEDICAL CARE**

GRANUFLO/DADU 99 GALLON  
HYDRAULIC FLOW DIAGRAM

SIZE <b>D</b>	DWG. NO. <b>700076</b>	REV. <b>B</b>
SCALE: 1:1	CAD: AUTOCAD	SHEET 1 OF 1

This document is the property of Fresenius USA, Inc. It is the property of Fresenius Medical Care North America and may contain confidential and trade secret information. This document may only be transferred as authorized by Fresenius Medical Care North America and then only by the way of loan for limited purposes. It may not be reproduced in whole or part and must be returned or destroyed upon request or upon completion of the purpose of the loan.  
©Fresenius Medical Care North America 2004,2017