



# Fresenius Medical Care

## Fresenius Medical Care North America Service Bulletin

Equipment: All Hemodialysis Machines  
 Bulletin: 05-FRS-001 Rev B  
 Subject: Functional Board Connector Usage (Update)

Written By	Reviewed By	Approved By	Effective Date
J. Fox (TSD)	Kenneth Cogswell	CN043653	08/09/12

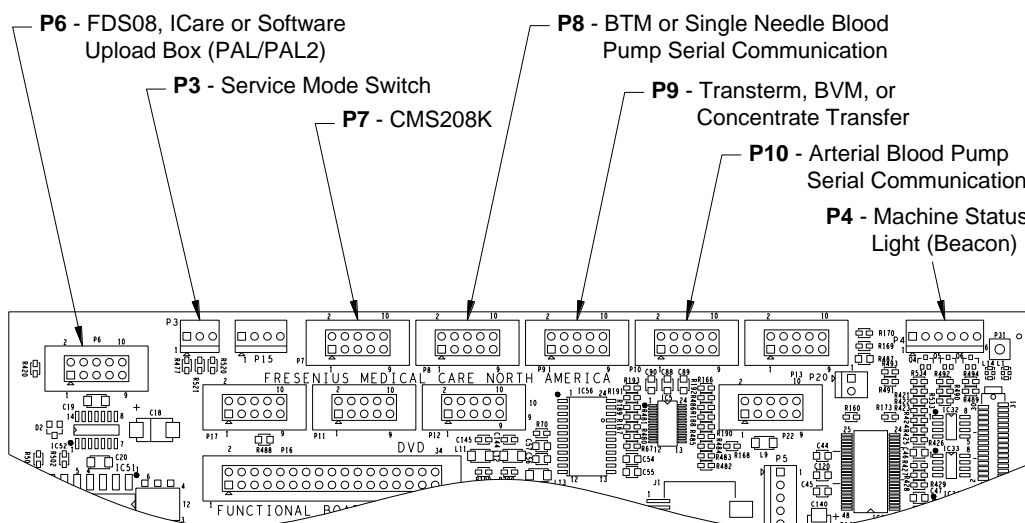
Distribution: Dir TS (B. La Bier), TS Mgr (K. Cogswell), TS Trng Mgr (E. Cordova), Dir QS (M. Owen), QE (M. Mohr), Eng (C. Woods), QC Mgr (D. McKenzie), Prod Mgr (M. Singer, G. Reny), FMS TS Mgr (J. Barr), Canada (T. Greene), Mexico (J. Naranjo)

### 1.0 PURPOSE

To provide all Field Service and Technical Support personnel with a description of the usage of each connector on the top edge of the functional boards for the 2008K, 2008K<sup>2</sup>, 2008K@HOME and 2008T hemodialysis machines.

### 2.0 DESCRIPTION

The following figures show where each component cable plugs into which connector on top of the functional board. Choose the figure that represents your machine.

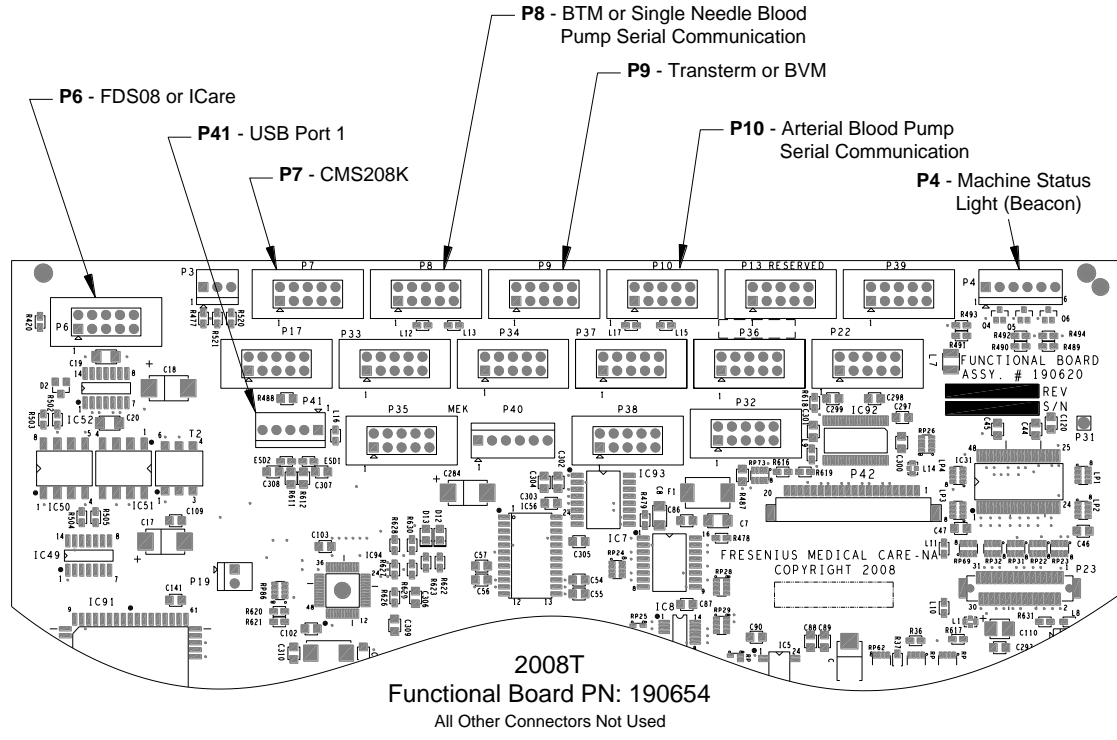
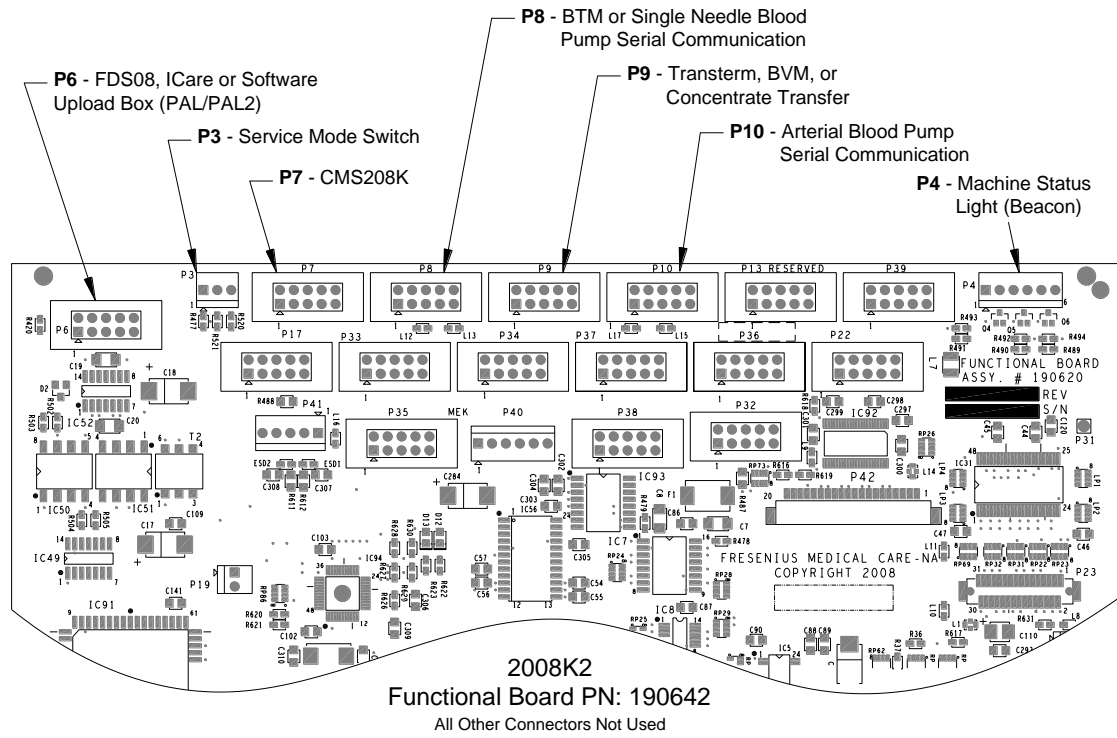


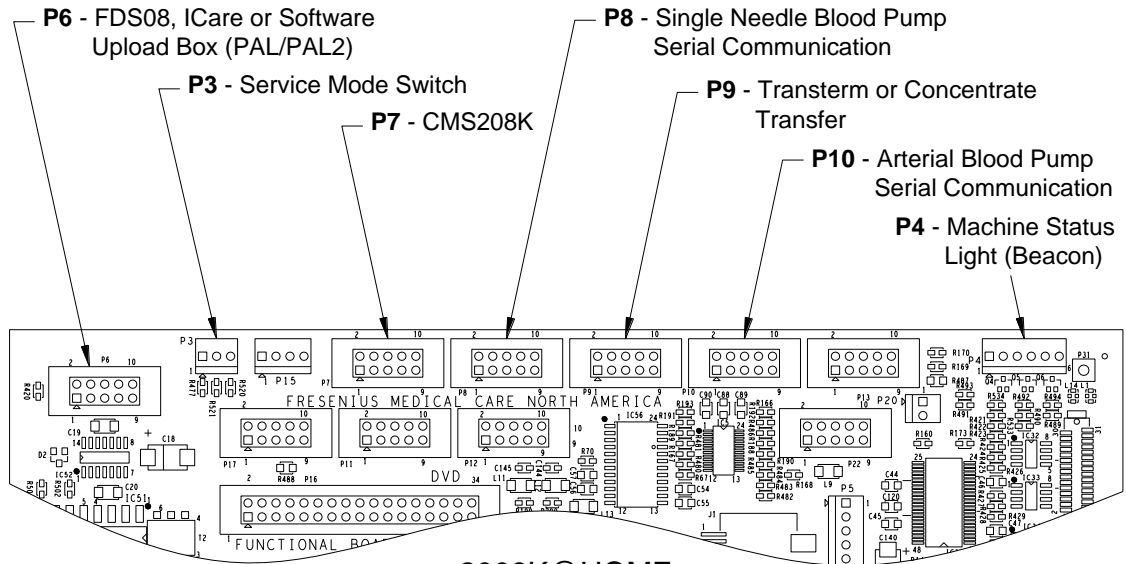
2008K Functional Board PN: 190193

All Other Connectors Not Used  
(PN 190171 Similar)

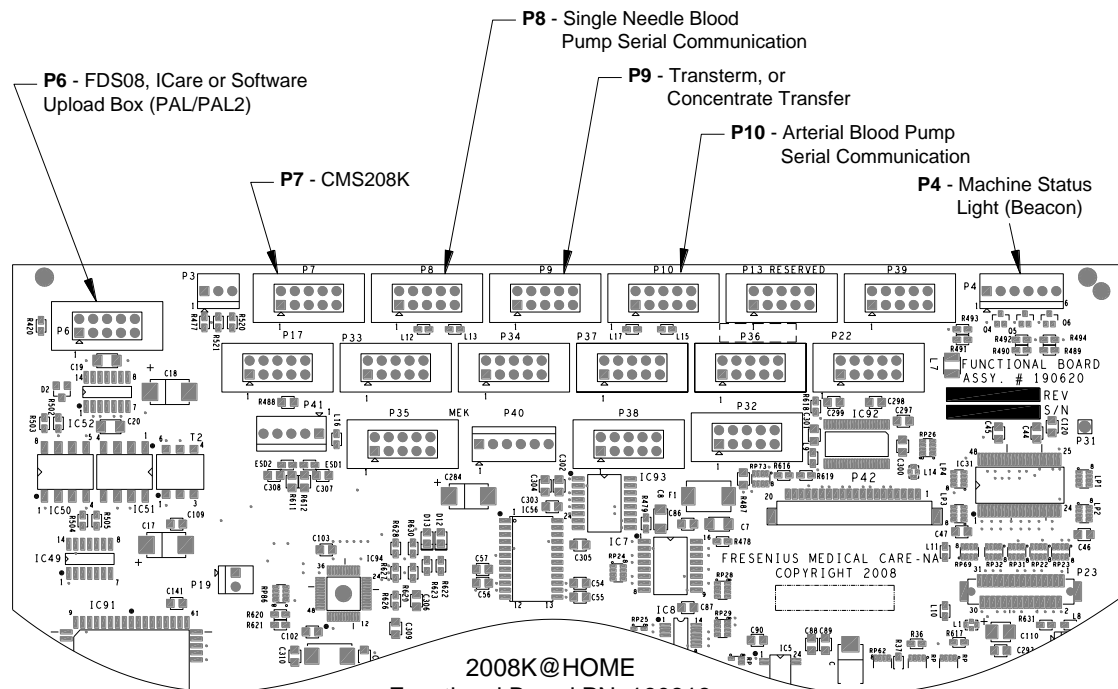
If there are any questions regarding this bulletin, contact Fresenius Technical Support at 800-227-2572

© 2012, Fresenius Medical Care North America, All rights reserved.





**2008K@HOME**  
 Functional Board PN: 190441  
 All Other Connectors Not Used



**2008K@HOME**  
 Functional Board PN: 190818  
 All Other Connectors Not Used